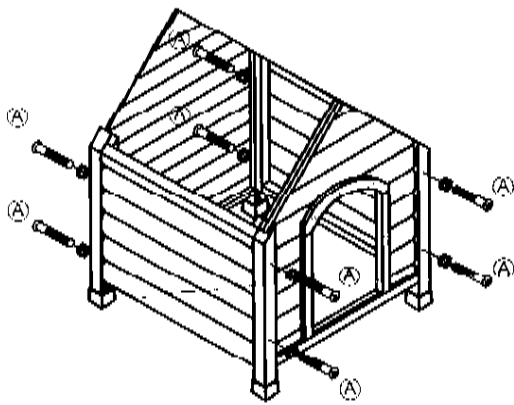
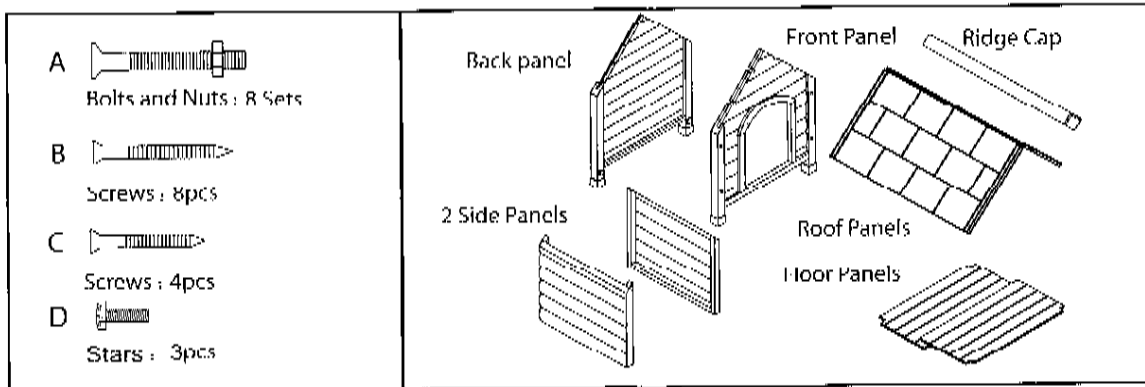
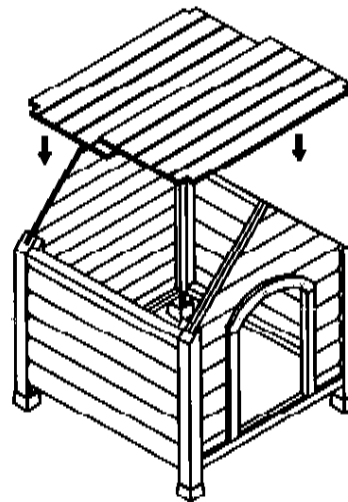


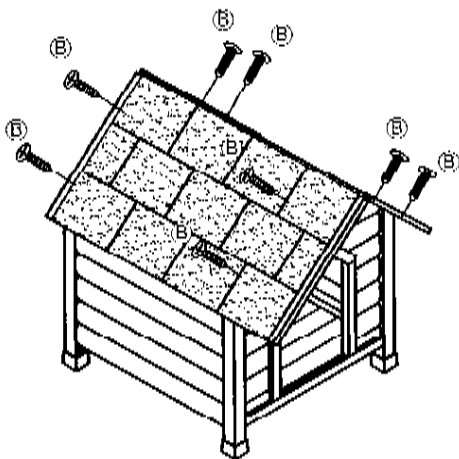
DOG HOUSE ASSEMBLY INSTRUCTION



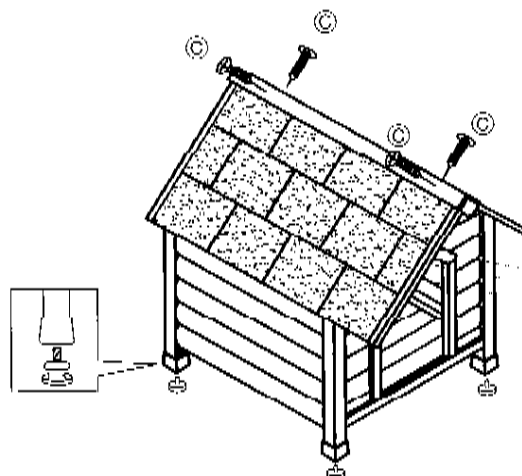
Step 1:
Secure Side Panels with bolts and nuts.



Step 2:
Drop in floor.



Step 3:
Attach roofs and secure with screws.



Step 4
Secure ridge cap onto roof with screws
and attach 3 star bolts on dog door.